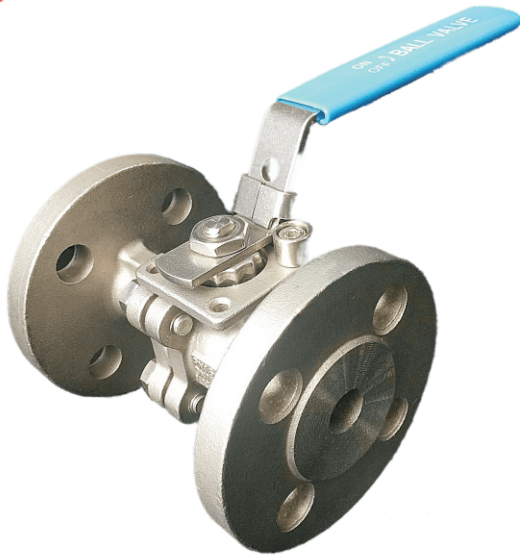


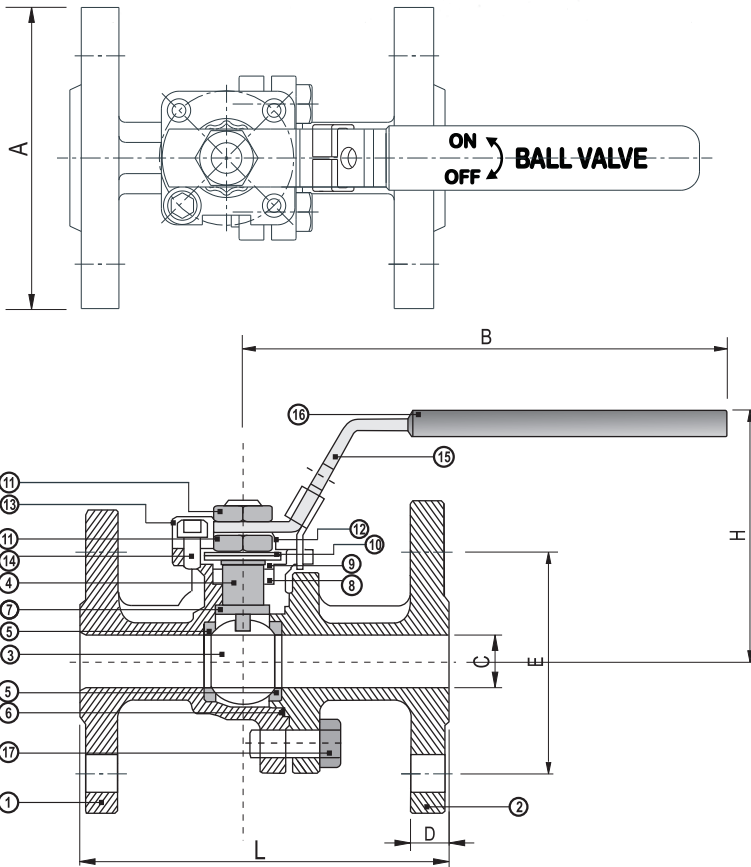


2-PC FLANGED END BALL VALVE ANSI 150LBS



FEATURES :

- FULL PORT, 1/2" ~ 2" (DN15 ~ DN50)
- WORKING PRESSURE : CLASS 150
- WORKING TEMPERATURE : -20°C ~ 200°C (-4°F ~ 392°F)
- INVESTMENT CASTING
- BLOW-OUT PROOF STEM
- ISO 5211 MOUNTING PAD
- FLANGE DIMENSION : ASME B16.5
- FACE TO FACE : ASME B16.10



No.	PART NAME	MATERIAL
1.	Body	ASTM A351-CF8M
2.	Cap	ASTM A351-CF8M
3.	Ball	ASTM A276-316
4.	Stem	ASTM A276-316
5.	Seat	PTFE
6.	Seal	PTFE
7.	Thrust Washer	PTFE
8.	Packing	PTFE
9.	Gland Packing	AISI 304
10.	Spring Washer	AISI 301
11.	Bolt Handle	AISI 304
12.	Bolt Handle Cover	AISI 304
13.	Handle Stopper	AISI 304
14.	Bolt Stopper	AISI 304
15.	Handle	AISI 304
16.	Handle Sleeve	PLASTISOL / PVC
17.	Bolt Body	AISI 304

No.	Size	ØA	B	C	D	E	H	L	Weight (Kg/Pcs)
		(mm)	(mm)	(mm)	(mm)	(mm)	(mm)	(mm)	
1.	1/2"	89.0	142.0	15.0	11.4	60.5	72.9	108.0	1.47
2.	3/4"	98.0	142.0	20.0	11.4	70.0	76.3	117.0	1.82
3.	1"	107.6	187.2	25.0	11.4	79.5	86.3	127.0	2.60
4.	1 1/4"	117.0	187.2	32.0	12.7	89.0	90.7	140.0	3.43
5.	1 1/2"	127.0	254.6	38.0	14.3	98.5	112.9	165.0	5.06
6.	2"	152.0	254.6	50.0	15.9	120.5	123.8	178.0	8.10